

Product data sheet

Characteristics

XVS10GMW

Harmony XVS, N/A

Product availability: Non-Stock - Not normally stocked in distribution facility

Price*: 150.00 USD



Main

Range of Product	Harmony XVS
Product or Component Type	Siren
Device short name	XVS
Color	White
Signalling type	2 tones siren
[Us] rated supply voltage	120 V AC
Noise level	106 DB continuous or intermittent tone)1 m

Complementary

Material	PC body
Net Weight	2.20 Lb(US) (1 kg)
Marking	CE
[Uimp] rated impulse withstand voltage	4 KV
Current consumption	80 mA 120 V
Clamping Connection Capacity	<= 1 x 1.5 mm ²
Electrical connection	Cable 0.26...0.33 in (6.5...8.5 mm)
Maximum Width	4.49 In (114 mm)
Maximum Height	4.49 In (114 mm)
Maximum Depth	6.03 In (153.2 mm)

Environment

Standards	EN/IEC 60947-1 EN/IEC 60947-5-1
Protective treatment	TC
Ambient Air Temperature for Storage	-31...158 °F (-35...70 °C)
Ambient Air Temperature for Operation	-22...122 °F (-30...50 °C)
Electrical shock protection class	Class II EN/IEC 61140
IP degree of protection	IP53

Ordering and shipping details

Category	22617 - XVC TOWER LIGHTS
Discount Schedule	XV
GTIN	03389119045353
Nbr. of units in pkg.	1
Package weight(Lbs)	2.7 Lb(US) (1.22 kg)
Returnability	No
Country of origin	ID

Packing Units

Unit Type of Package 1	PCE
Package 1 Height	5.51 In (14 cm)
Package 1 width	5.51 In (14 cm)
Package 1 Length	7.87 In (20 cm)
Unit Type of Package 2	S04
Number of Units in Package 2	8
Package 2 Weight	24.78 Lb(US) (11.24 kg)
Package 2 Height	11.81 In (30 cm)
Package 2 width	15.75 In (40 cm)
Package 2 Length	23.62 In (60 cm)

Offer Sustainability

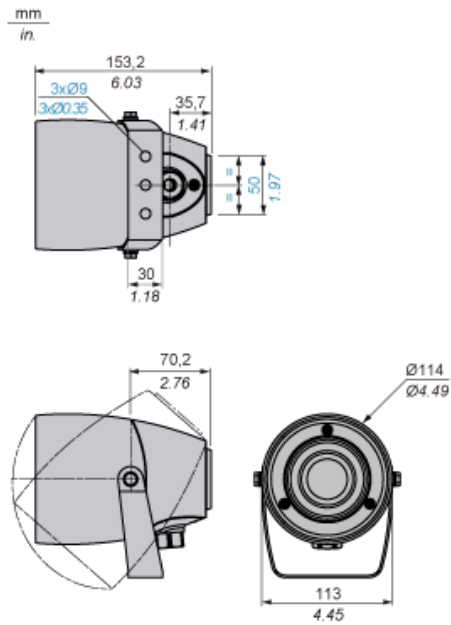
California proposition 65	WARNING: This product can expose you to chemicals including: Lead and lead compounds, which is known to the State of California to cause cancer and birth defects or other reproductive harm. For more information go to www.P65Warnings.ca.gov
EU RoHS Directive	Pro-active compliance (Product out of EU RoHS legal scope) EU RoHS Declaration
Mercury free	Yes
RoHS exemption information	Yes
China RoHS Regulation	China RoHS Declaration
Environmental Disclosure	Product Environmental Profile
Circularity Profile	End Of Life Information

Contractual warranty

Warranty	18 months
----------	-----------

Siren

Dimensions



Product Life Status : Commercialised